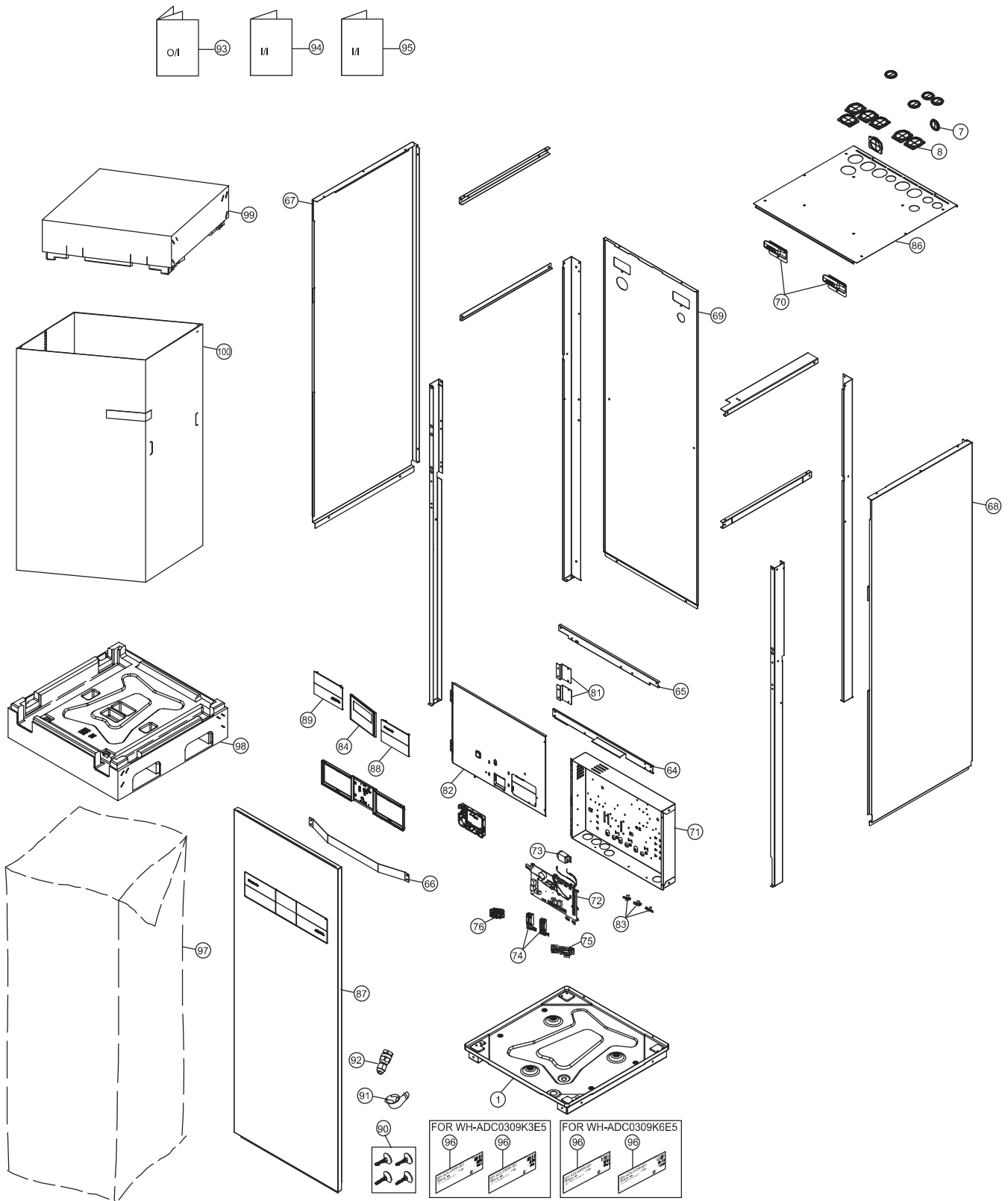


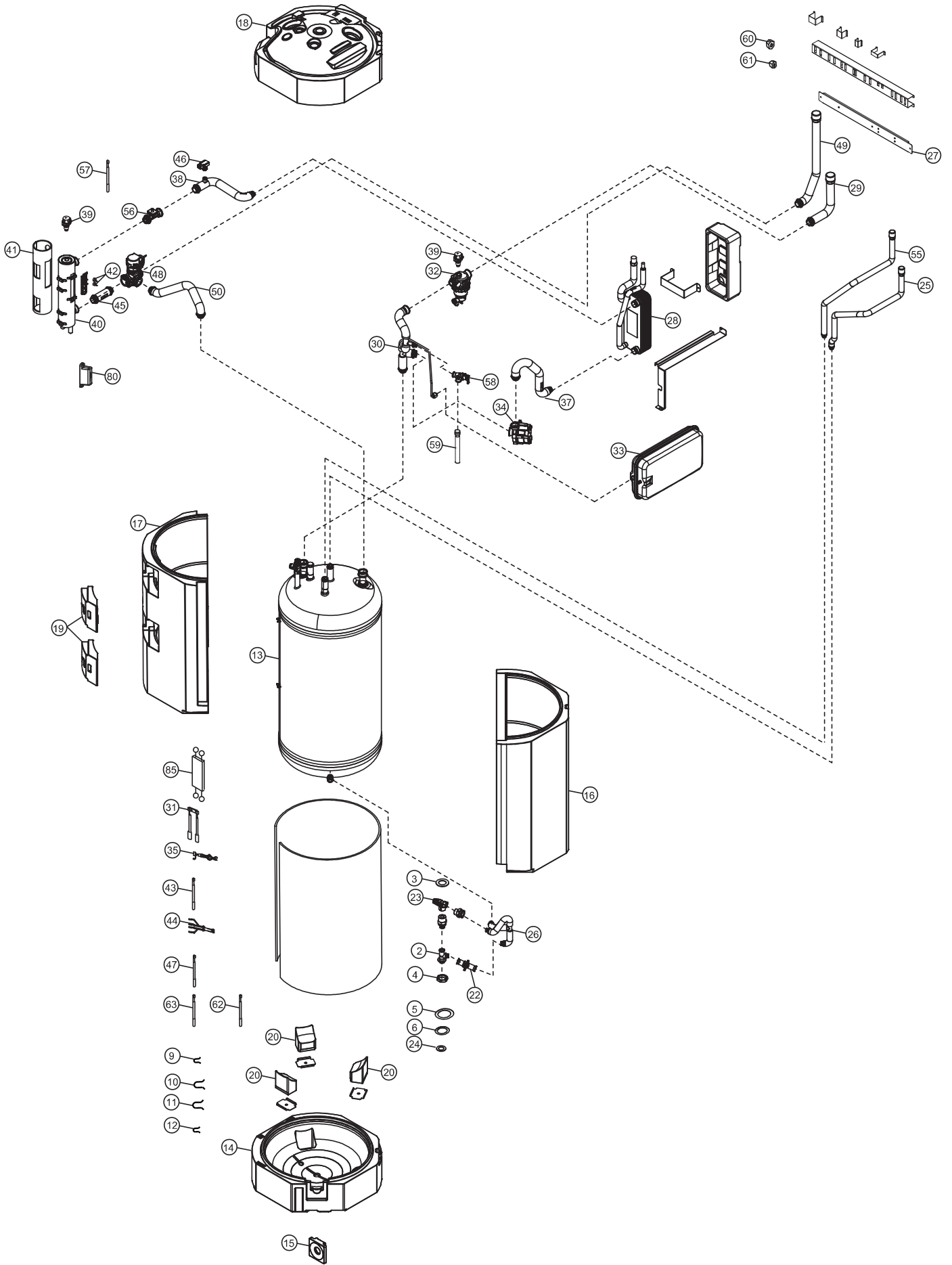
24. Exploded View and Replacement Parts List

24.1 Indoor Unit

24.1.1 WH-ADC0309K3E5 WH-ADC0309K6E5



Note:
The above exploded view is for the purpose of parts disassembly and replacement.
The non-numbered parts are not kept as standard service parts.



Note:
 The above exploded view is for the purpose of parts disassembly and replacement.
 The non-numbered parts are not kept as standard service parts.

| SAFETY | REF. NO. | DESCRIPTION & NAME | QTY. | WH-ADC0309K3E5 | WH-ADC0309K6E5 | REMARK |
|--------|----------|---------------------------------------|------|----------------|----------------|--------|
| | 1 | CHASSIS - COMPLETE | 1 | ACXD50C04840 | ← | |
| | 2 | TUBE CONNECTER | 1 | ACXT29-02570 | ← | |
| | 3 | O-RING (ID: 27mm) | 1 | ACXB81-07070 | ← | |
| | 4 | NUT | 1 | ACXH56-01370 | ← | |
| | 5 | O-RING (ID: 25.70mm) | 1 | ACXB81-06910 | ← | |
| | 6 | O-RING (ID: 8.1mm) | 1 | CWB811179 | ← | |
| | 7 | O-RING (ID: 35mm) | 1 | ACXB81-00030 | ← | |
| | 8 | O-RING (ID: 54mm X 47mm) | 1 | ACXB81-00040 | ← | |
| | 9 | RETAINING RING | 1 | CWH581007 | ← | |
| | 10 | RETAINING RING | 1 | ACXH58-00370 | ← | |
| | 11 | RETAINING RING | 1 | CWH581012 | ← | |
| | 12 | RETAINING RING | 1 | CWH581038 | ← | |
| | 13 | TANK COMPLETE | 1 | ACXB56C01210 | ← | |
| | 14 | FOAMED POLYSTYRENE | 1 | ACXG07-07690 | ← | |
| | 15 | FOAMED POLYSTYRENE | 1 | ACXG07-07700 | ← | |
| | 16 | FOAMED POLYSTYRENE | 1 | ACXG07-07710 | ← | |
| | 17 | FOAMED POLYSTYRENE | 1 | ACXG07-07720 | ← | |
| | 18 | FOAMED POLYSTYRENE | 1 | ACXG07-07731 | ← | |
| | 19 | FOAMED POLYSTYRENE | 2 | ACXG07-07740 | ← | |
| | 20 | FOAMED POLYSTYRENE | 3 | ACXG07-07750 | ← | |
| | 22 | DRAIN VALVE | 1 | ACXB65C00111 | ← | |
| | 23 | PRESSURE AND TEMP RELIEF VALVE (TANK) | 1 | ACXB62-00111 | ← | |
| | 24 | O-RING (ID: 13.60mm) | 1 | ACXB81-00010 | ← | |
| | 25 | TUBE ASSY - COMPLETE | 1 | ACXT00C40900 | ← | |
| | 26 | TUBE ASSY | 1 | ACXT00-77551 | ← | |
| | 27 | CONNECTING BAR | 1 | ACXE26-02841 | ← | |
| | 28 | HOT WATER COIL - COMPLETE | 1 | ACXB90C01570 | ← | |
| | 29 | TUBE ASSY - COMPLETE | 1 | ACXT00C40920 | ← | |
| | 30 | TUBE ASSY - COMPLETE | 1 | ACXT00C40931 | ← | |
| ⚠ | 31 | SENSOR CO. (TANK TEMP CN-TH2) | 1 | ACXA50C18700 | ← | |
| ⚠ | 32 | FILTER COMPLETE | 1 | ACXB51C00110 | ← | |
| | 33 | RECEIVER | 1 | CWB141039 | ← | |
| ⚠ | 34 | WATER PUMP | 1 | ACXB53-00850 | ← | |
| ⚠ | 35 | LEAD WIRE FOR WATER PUMP | 1 | ACXA60C73630 | ← | |
| | 37 | TUBE ASSY - COMPLETE | 1 | ACXT00C41200 | ← | |
| | 38 | TUBE ASSY - COMPLETE | 1 | ACXT00C40961 | ← | |
| | 39 | AIR PURGE VALVE | 2 | ACXB62-00130 | ← | |
| ⚠ | 40 | HEATER ASS'Y | 1 | ACXA34K00460 | ACXA34K00530 | |
| | 41 | SOUND PROOF MATERIAL | 1 | ACXG30-08750 | ← | |
| ⚠ | 42 | THERMOSTAT | 2/3 | CWA151074 | ← | |
| ⚠ | 43 | LEAD WIRE - CO. (CN-OLP1) | 1 | ACXA60C93670 | ← | |
| ⚠ | 44 | LEAD WIRE - CO. (OLP & HEATER) | 1 | ACXA60C93680 | ACXA60C84060 | |
| | 45 | TUBE ASSY - COMPLETE | 1 | ACXT00C32732 | ← | |

| SAFETY | REF. NO. | DESCRIPTION & NAME | QTY. | WH-ADC0309K3E5 | WH-ADC0309K6E5 | REMARK |
|--------|----------|---|------|----------------|----------------|--------|
| | 46 | BOILER PRESSURE TRANSDUCER | 1 | ACXB62-01110 | ← | |
| | 47 | LEAD WIRE - CO. (CN-DPS) | 1 | ACXA60C93661 | ← | |
| | 48 | MOTORIZED 3-WAY VALVE | 1 | ACXB62-00092 | ← | |
| | 49 | TUBE ASSY - COMPLETE | 1 | ACXT00C41210 | ← | |
| | 50 | TUBE ASSY - COMPLETE | 1 | ACXT00C40980 | ← | |
| | 55 | TUBE ASSY - COMPLETE | 1 | ACXT00C41030 | ← | |
| | 56 | FLOW SWITCH | 1 | ACXB62-00932 | ← | |
| ⚠ | 57 | LEAD WIRE - FLOW SENSOR | 1 | ACXA60C82910 | ← | |
| | 58 | PRESSURE RELIEF VALVE | 1 | ACXB62-00100 | ← | |
| | 59 | TUBE ASSY | 1 | ACXT00-77260 | ← | |
| | 60 | FLARE NUT (5/8) | 1 | CWT251064 | ← | |
| | 61 | FLARE NUT (1/4) | 1 | CWT251063 | ← | |
| ⚠ | 62 | SENSOR - CO. (WATER IN OUT, REF TEMP SENSOR CN-TH1) | 1 | ACXA50C16380 | ← | |
| ⚠ | 63 | SENSOR - CO. (HEX WATER OUTLET TEMP CN-TH3) | 1 | ACXA50C16390 | ← | |
| | 64 | CONNECTING BAR | 1 | ACXE26-02860 | ← | |
| | 65 | CONNECTING BAR | 1 | ACXE26-02870 | ← | |
| | 66 | CONNECTING BAR | 1 | ACXE26-02880 | ← | |
| | 67 | CABINET SIDE PLATE (L) | 1 | ACXE04-13290A | ← | |
| | 68 | CABINET SIDE PLATE (R) | 1 | ACXE04-13300A | ← | |
| | 69 | CABINET REAR PLATE | 1 | ACXE02-03400 | ← | |
| | 70 | HANDLE | 2 | ACXE16-00300 | ← | |
| | 71 | CONTROL BOARD | 1 | ACXH10-09860 | ← | |
| ⚠ | 72 | ELECTRONIC CONTROLLER - MAIN | 1 | ACXA73C88710 | ACXA73C91070 | |
| ⚠ | 73 | REACTOR | 1 | G0C103Z00003 | ← | |
| ⚠ | 74 | RESIDUAL CURRENT - CIRCUIT BREAKER | 2 | K5KYYAY00003 | ← | |
| ⚠ | 75 | TERMINAL BOARD ASSY (1,2,3) | 1 | CWA28K1217 | ← | |
| ⚠ | 76 | TERMINAL BOARD ASS'Y (A,B) | 1 | - | CWA28K1238 | |
| | 80 | TERMINAL COVER | 1 | CWH171051 | ← | |
| | 81 | HINGE | 2 | CWH611006 | ← | |
| | 82 | CONTROL BOARD COVER | 1 | ACXH13-09290 | ← | |
| | 83 | HOLDER - P.S. CORD | 3 | CWH31103 | ← | |
| ⚠ | 84 | REMOTE CONTROL COMPLETE | 1 | ACXA75C23211 | ← | |
| ⚠ | 85 | LEAD WIRE FOR REMOTE CONTROL | 1 | ACXA60C93691 | ← | |
| | 86 | CABINET TOP PLATE | 1 | ACXE03-04880 | ← | |
| | 87 | CABINET FRONT PLATE | 1 | ACXE06-05161A | ← | |
| | 88 | DECORATION BASE ASS'Y | 1 | ACXE35K03630 | ← | |
| | 89 | DECORATION BASE ASS'Y | 1 | ACXE35K03640 | ← | |
| | 90 | ACCESSORY - CO. (DECORATION BASE ASS'Y) | 1 | ACXH82C04160 | ← | |
| | 91 | ACCESSORY ADJUSTABLE FEET | 1 | ACXH82C21740 | ← | |
| | 92 | SOCKET COMPLETE | 1 | ACXT27C00020 | ← | |
| | 93 | OPERATING INSTRUCTION | 1 | ACXF55-34120 | ← | |
| | 94 | INSTALLATION INSTRUCTION | 1 | ACXF60-49960 | ← | |

| SAFETY | REF. NO. | DESCRIPTION & NAME | QTY. | WH-ADC0309K3E5 | WH-ADC0309K6E5 | REMARK |
|--------|----------|--------------------------|------|----------------|----------------|--------|
| | 95 | INSTALLATION INSTRUCTION | 1 | ACXF60-49910 | ← | |
| | 96 | MODEL LABEL | 2 | ACXF85-95610 | ACXF85-95630 | |
| | 97 | BAG | 1 | ACXG86-04782 | ← | |
| | 98 | BASE BOARD - COMPLETE | 1 | ACXG62C02790 | ← | |
| | 99 | TOP BOARD COMPLETE | 1 | ACXG60C00300 | ← | |
| | 100 | C.C. CASE | 1 | ACXG50-61790 | ← | |

Note:

- All parts are supplied from PHVACCZ, Czech (Vendor Code: 00029407).
- "O" marked parts are recommended to be kept in stock.