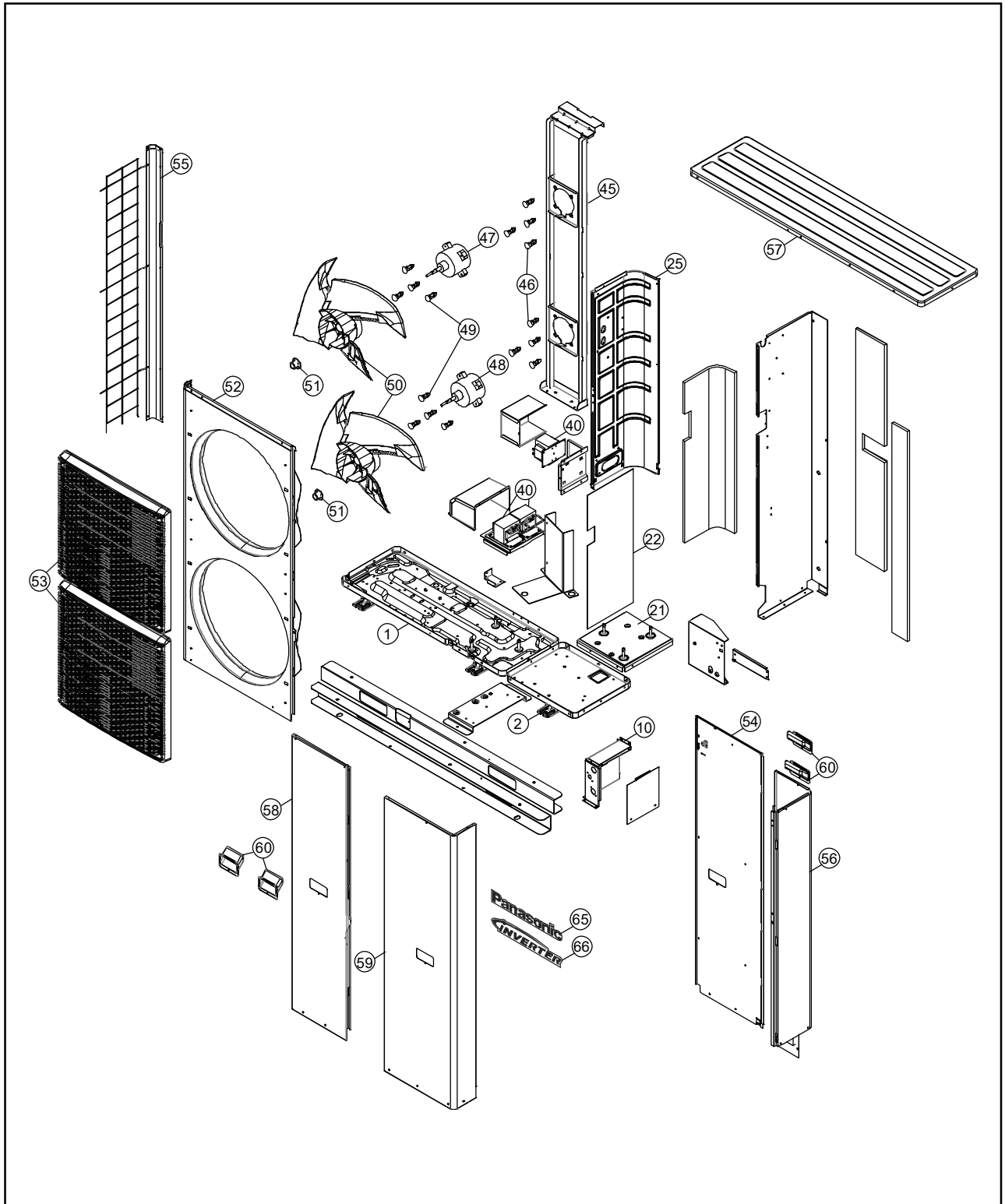


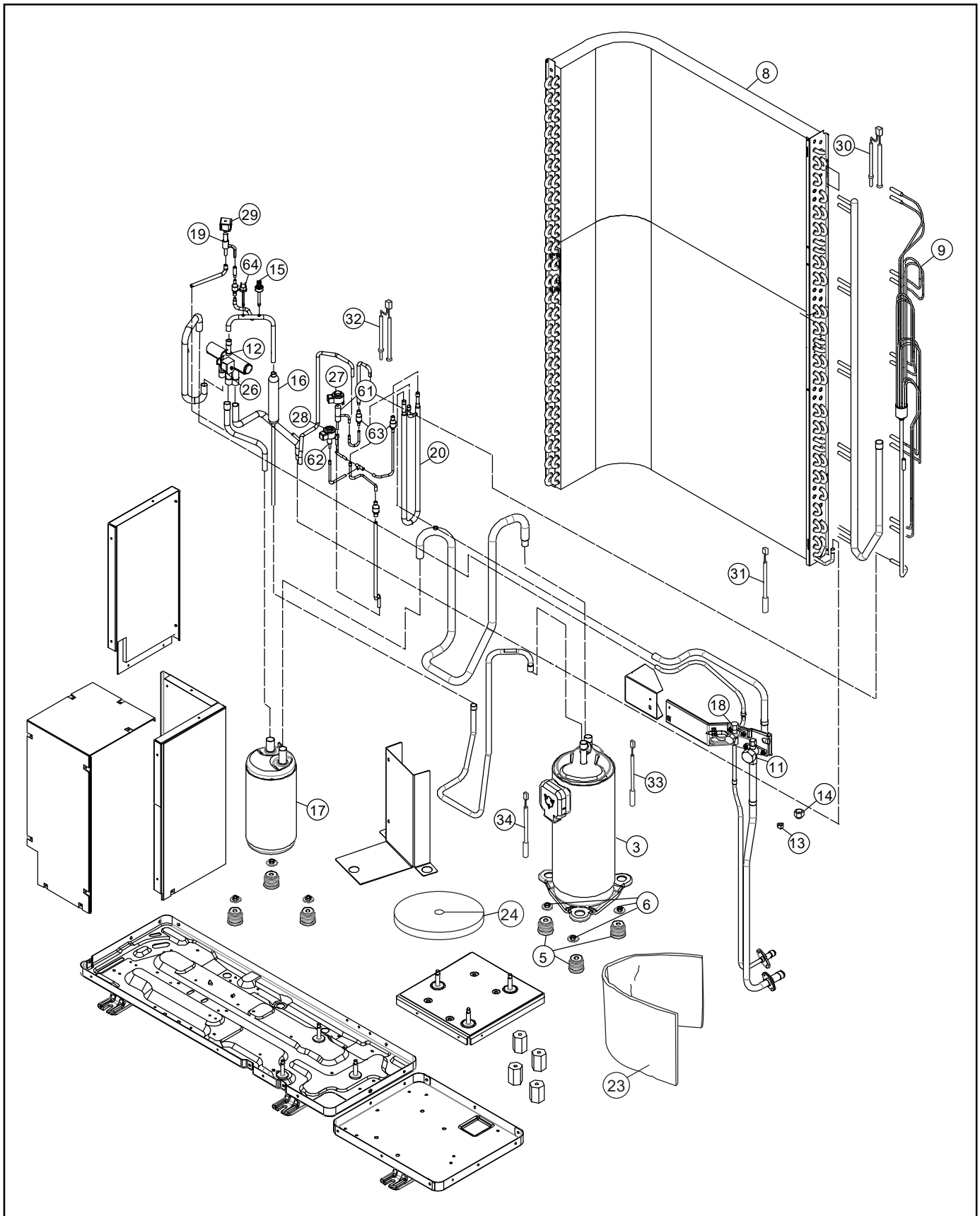
## 20.2 Outdoor Unit

### 20.2.1 WH-UQ09HE8 WH-UQ12HE8



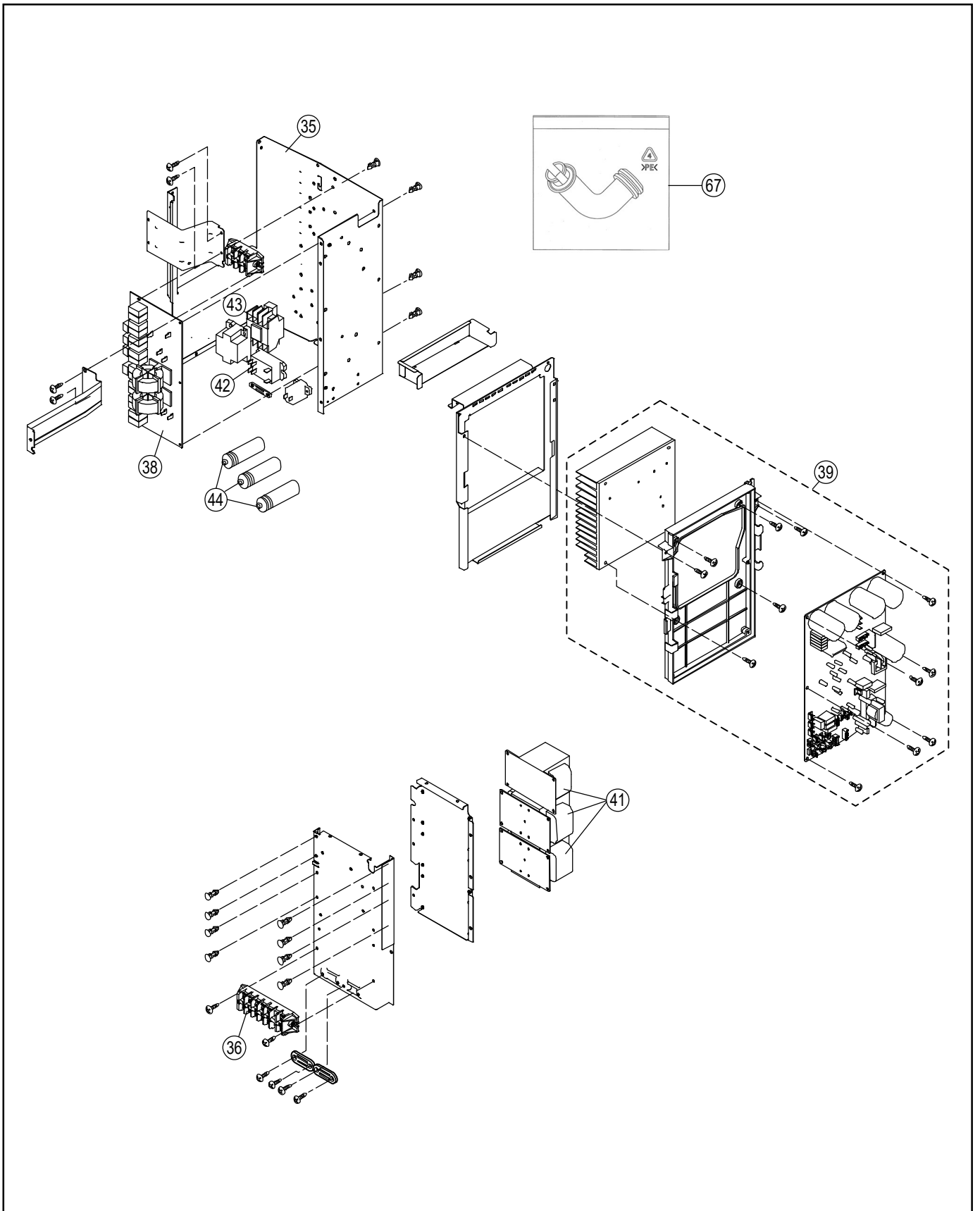
**Note:**

- The above exploded view is for the purpose of parts disassembly and replacement.
- The non-numbered parts are not kept as standard service parts.



**Note:**

- The above exploded view is for the purpose of parts disassembly and replacement.
- The non-numbered parts are not kept as standard service parts.



**Note:**

- The above exploded view is for the purpose of parts disassembly and replacement.
- The non-numbered parts are not kept as standard service parts.

<Model: WH-UQ09HE8 WH-UQ12HE8>

SAFETY	REF. NO.	DESCRIPTION & NAME	QTY.	WH-UQ09HE8	WH-UQ12HE8	REMARK
	1	BASE PAN ASS'Y	1	ACXD52K00240	←	
	2	BASE PAN ASS'Y	1	ACXD52K00250	←	
⚠	3	COMPRESSOR	1	5JD420XBA22	←	O
	5	BUSHING - COMPRESSOR MOUNT	3	CWH50055	←	
	6	NUT - COMPRESSOR MOUNT	3	CWH561049	←	
	8	CONDENSER COMPLETE	1	CWB32C3986	←	
	9	TUBE ASSY (CAP.TUBE)	1	CWT07K1606	←	
	10	HOLDER - COUPLING	1	ACXH35-00070	←	
	11	3 - WAYS VALVE (GAS)	1	CWB011700	←	O
	12	4 - WAYS VALVE	1	CWB001046	←	O
	13	FLARE NUT	1	CWT251061	←	
	14	FLARE NUT	1	CWT251064	←	
	15	HIGH PRESSURE SENSOR	1	CWA501463	←	O
	16	DISCHARGE MUFFLER	1	CWB121014	←	
	17	ACCUMULATOR	1	CWB131026A	←	
	18	3 - WAYS VALVE	1	ACXB01-00420	←	O
	19	2 - WAYS VALVE	1	CWB021637	←	O
	20	SUB COOLER TUBE HEAT	1	CWB361003	←	O
	21	SOUND PROOF MATERIAL	1	ACXG30-00710	←	
	22	SOUND PROOF MATERIAL	1	ACXG30-00800	←	
	23	SOUND PROOF MATERIAL	1	ACXG30-04700	←	
	24	SOUND PROOF MATERIAL	1	CWG302266	←	
	25	SOUND PROOF BOARD	1	CWH151243	←	
⚠	26	V-COIL COMPLETE (4-WAY VALVE)	1	CWA43C2169J	←	O
⚠	27	V-COIL COMPLETE (MAIN EXPANSION VALVE)	1	CWA43C2602	←	O
⚠	28	V-COIL COMPLETE (BYPASS EXPANSION VALVE)	1	CWA43C2335	←	O
⚠	29	V-COIL COMPLETE (2 WAY VALVE)	1	CWA43C2607	←	O
	30	SENSOR-COMP. (OUTDOOR AIR TEMP SENSOR)	1	CWA50C2730	←	O
	31	SENSOR-COMP. (DEFROST TEMP SENSOR)	1	CWA50C2577	←	O
	32	SENSOR-COMP. (BYPASS AND EVA EXIT TEMP)	1	CWA50C3165	←	O
	33	SENSOR-COMP. (DISCHARGE TEMP SENSOR)	1	ACXA50C00810	←	O
	34	SENSOR-COMP. (COMPRESSOR TANK TEMP)	1	ACXA50C00820	←	O
	35	CONTROL BOARD CASING	1	CWH10K1049	←	
⚠	36	TERMINAL BOARD ASS'Y	1	CWA28K1214	←	O
⚠	38	ELECTRONIC CONTROLLER - NF	1	CWA747838	←	O
⚠	39	ELECTRONIC CONTROLLER (MAIN)	1	ACXA73C21810R	ACXA73C21820R	O
⚠	40	REACTOR	3	G0C293J00001	←	O
⚠	41	REACTOR	3	G0C153J00009	←	O
⚠	42	ELECTRO MAGNETIC SWITCH	1	K6C2AGA00002	←	O
⚠	43	ELECTRO MAGNETIC SWITCH	1	K6C4E8A00001	←	O
⚠	44	CAPACITOR	3	DS441205NPQA	←	O
	45	FAN MOTOR BRACKET	1	CWD54K1084	←	
	46	SCREW - FAN MOTOR BRACKET	8	CWH551040J	←	
⚠	47	FAN MOTOR (UPPER)	1	EHDS83CAC	←	O
⚠	48	FAN MOTOR (LOWER)	1	EHDS83DAC	←	O
	49	SCREW - FAN MOTOR MOUNT	8	CWH551323	←	
	50	PROPELLER FAN ASSY	2	CWH00K1006	←	
	51	NUT	2	CWH561092	←	
	52	CABINET FRONT PLATE	1	CWE061098A	←	
	53	DISCHARGE GRILLE	2	CWE201073	←	
	54	CABINET REAR PLATE - COMPLETE	1	ACXE02C00050	←	
	55	CABINET SIDE PLATE ASSY	1	CWE04K1023A	←	
	56	CABINET SIDE PLATE - COMPLETE	1	ACXE04C00470	←	

SAFETY	REF. NO.	DESCRIPTION & NAME	QTY.	WH-UQ09HE8	WH-UQ12HE8	REMARK
	57	CABINET TOP PLATE CO.	1	CWE03C1105	←	
	58	CABINET FRONT PLATE CO.	1	ACXE06C00150	←	
	59	CABINET FRONT PLATE CO.	1	ACXE06C00160	←	
	60	HANDLE	4	CWE161010	←	
	61	EXPANSION VALVE (1)	1	CWB051049	←	O
	62	EXPANSION VALVE (2)	1	CWB051029	←	O
	63	STRAINER	2	CWB111032	←	
	64	PRESSURE SWITCH	1	CWA101007	←	O
	65	PANASONIC BADGE	1	CWE373439	←	
	66	INVERTER BADGE	1	CWE373441	←	
	67	ACCESSORY CO. (DRAIN ELBOW)	1	CWG87C900	←	

**Note:**

- All parts are supplied from PAPAMY, Malaysia (Vendor Code: 00029488).
- "O" marked parts are recommended to be kept in stock.